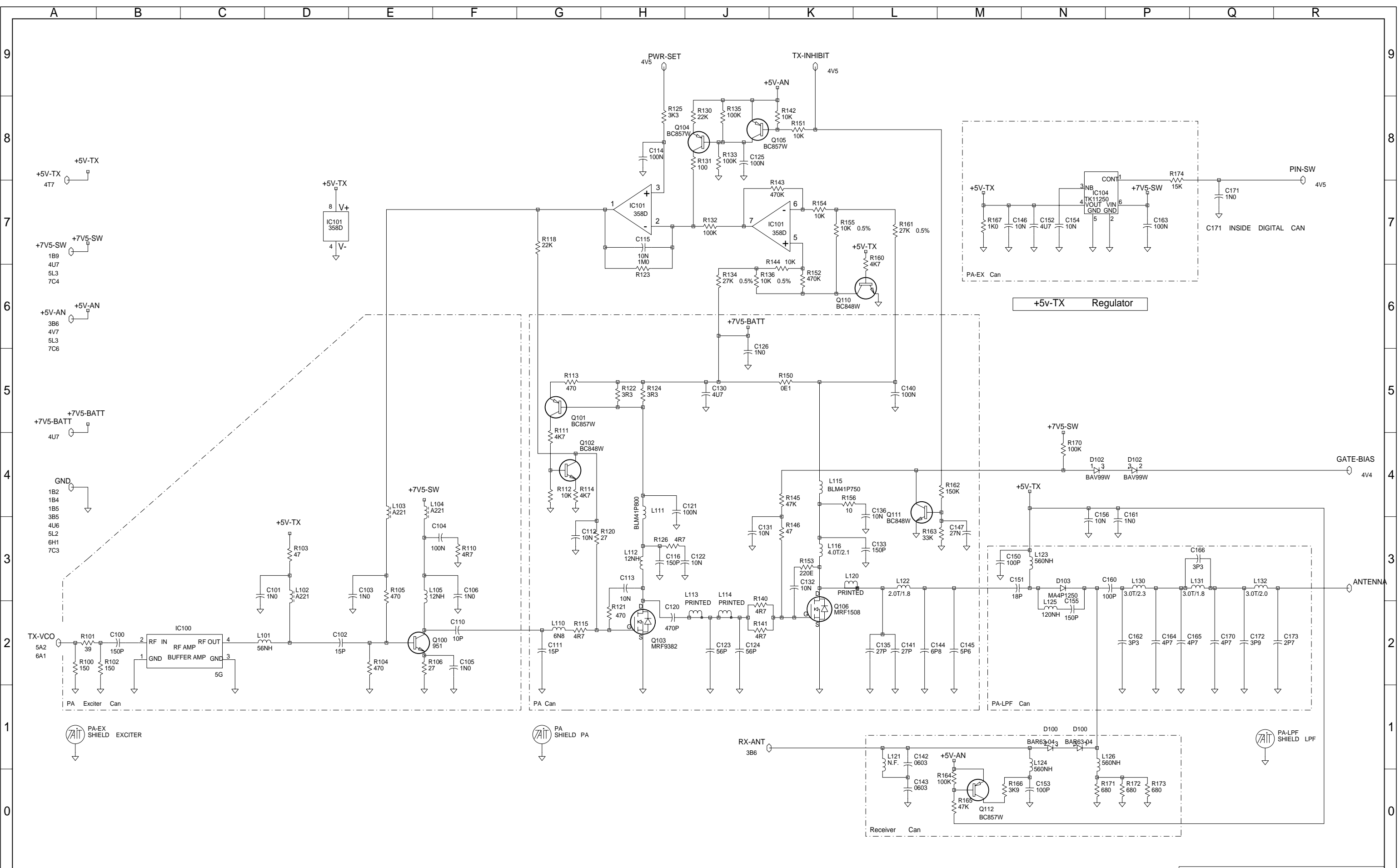


REV/ISS	AMENDMENTS	DRAWN	CHKD	D.O.	APVD	DATE
04B	CCO 1603/007	TS				18-11-99
04A	CCO 1603/004 1603/005 1603/006	CJK				05/11/99
03A	CCO 1603/003	CJK	SP			6/10/99
02A	CCO 1603/001 & 002	CJK				24/09/99
01A	NEW PA FOR 400-470 MHZ	CJK	JJ			10/06/99



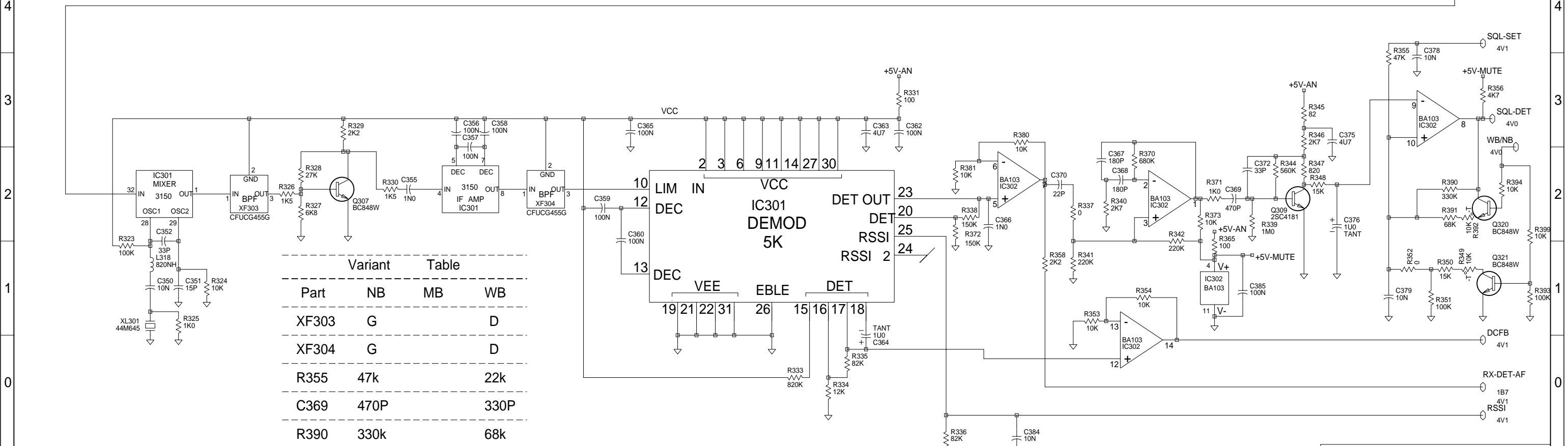
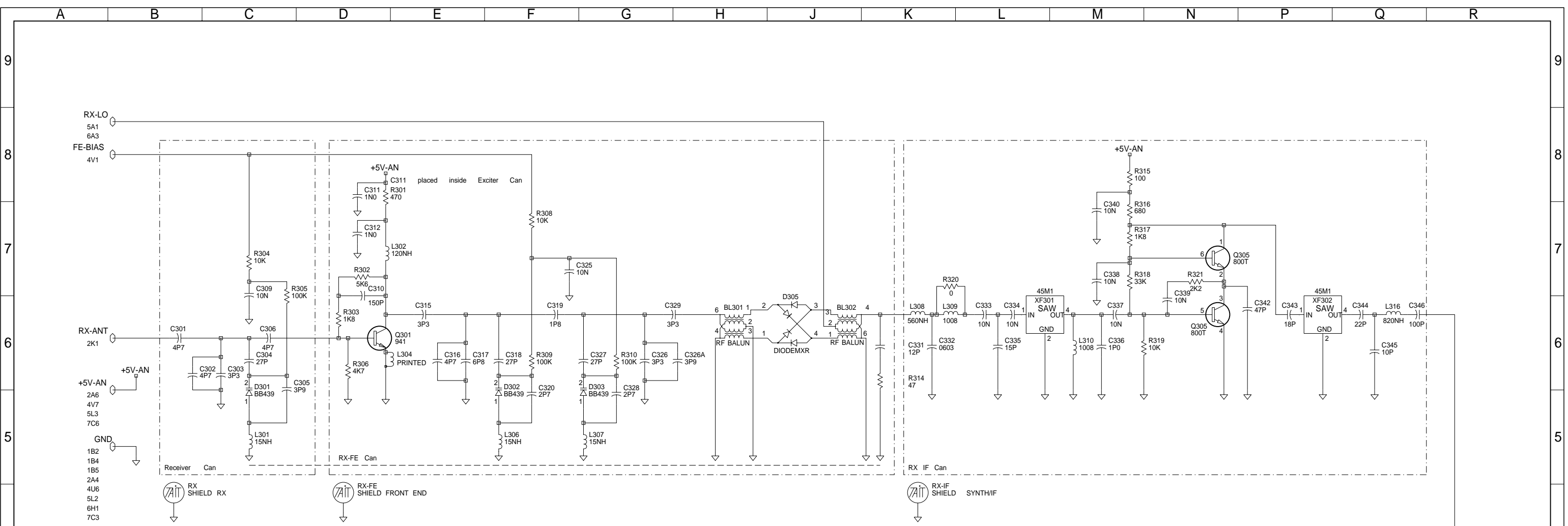
© TAIT ELECTRONICS
 ORCA : 400-470MHZ
 SYSTEM DIAGRAM
 IPN: 220-01603-04 ISSUE: B ID: 2.S.C. 1
 PROJECT: ORCA DESIGNER: CJK/TS FILE NAME: 160304b FILE DATE: 18-Nov-99 NO.SHEETS: 7



© TAIT ELECTRONICS
 ORCA : 400-470MHZ
 POWER AMPLIFIER

IPN: 220-01603-04	ISSUE: B	ID: 2.S.C. 2
PROJECT: ORCA	DESIGNER: CJK/TS	FILE NAME: 160304b
	FILE DATE: 18-Nov-99	NO.SHEETS: 7

REV/ISS	AMENDMENTS	DRAWN	CHKD	D.O.	APVD	DATE
A						

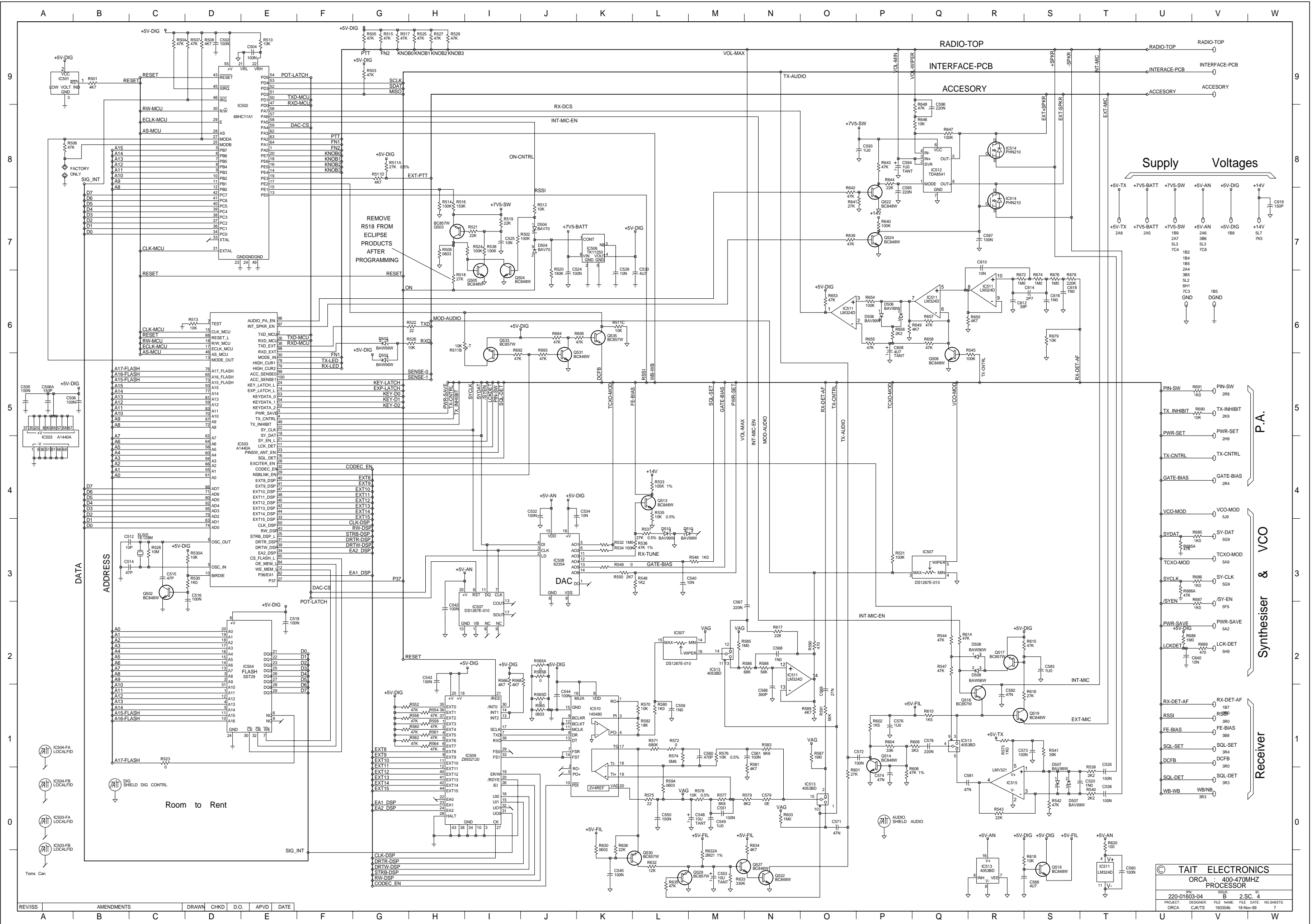


Variant Table

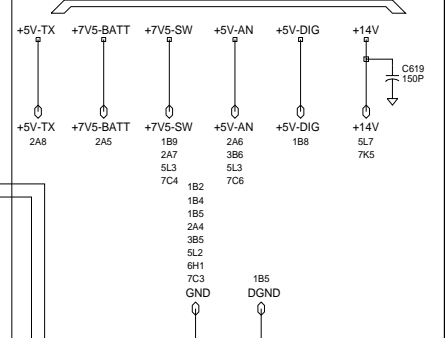
Part	NB	MB	WB
XF303	G		D
XF304	G		D
R355	47k		22k
C369	470P		330P
R390	330k		68k

© TAIT ELECTRONICS
 ORCA : 400-470MHZ RECEIVER
 IPN: 220-01603-04 ISSUE: B ID: 2.S.C. 3
 PROJECT: ORCA DESIGNER: CJK/TS FILE NAME: 160304b DATE: 18-Nov-99 NO.SHEETS: 7

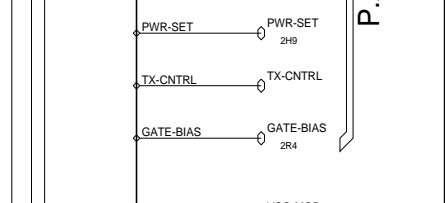
REV/ISS	AMENDMENTS	DRAWN	CHKD	D.O.	APVD	DATE



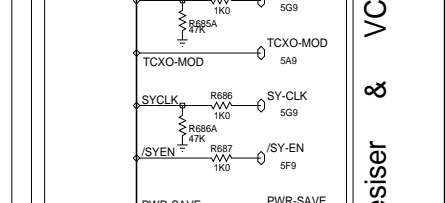
Supply Voltages



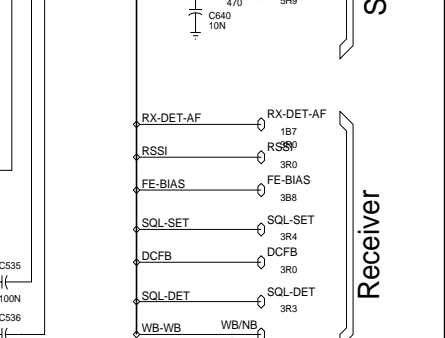
P.A.



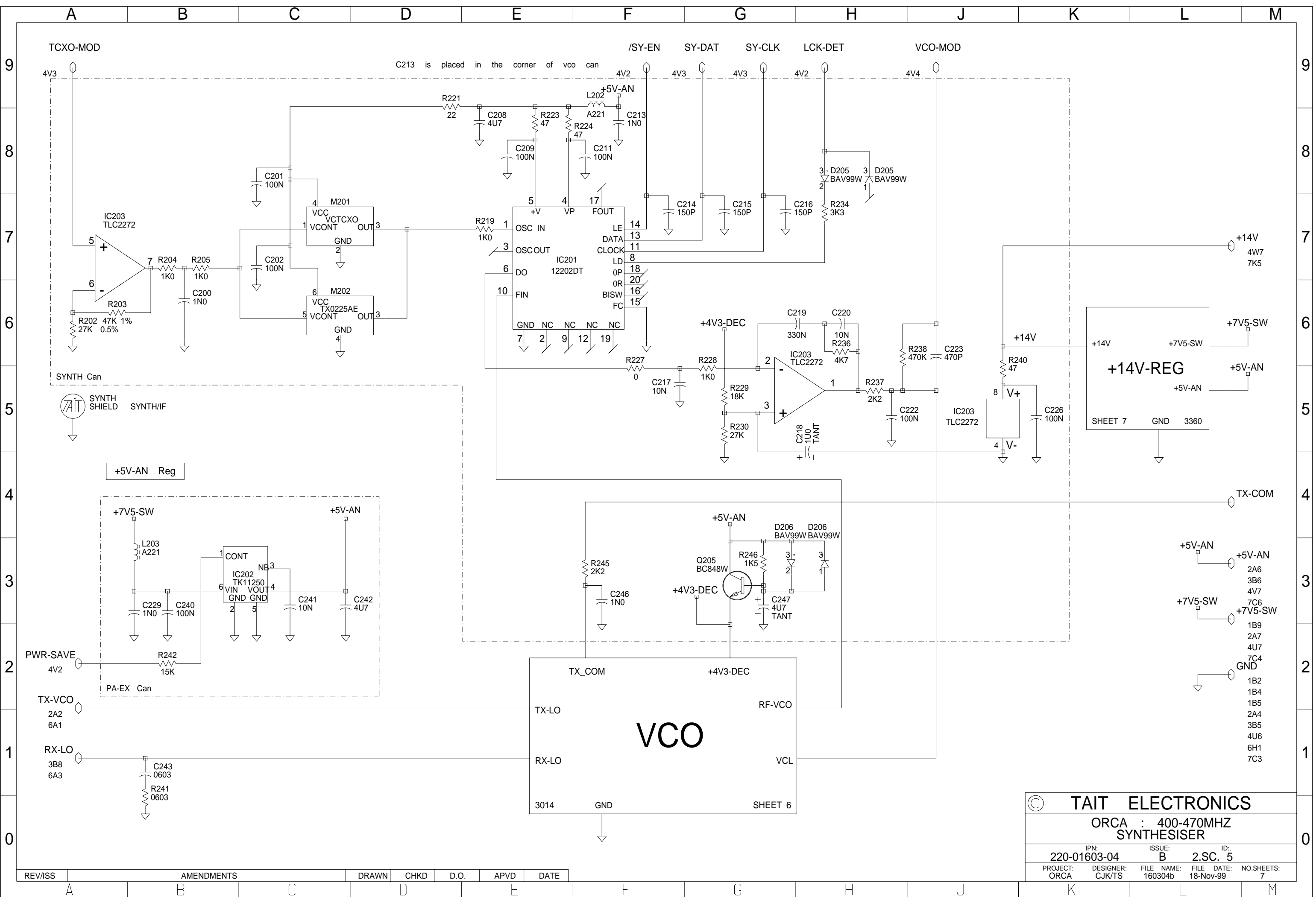
Synthesiser & VCO



Receiver



Room to Rent



© TAIT ELECTRONICS

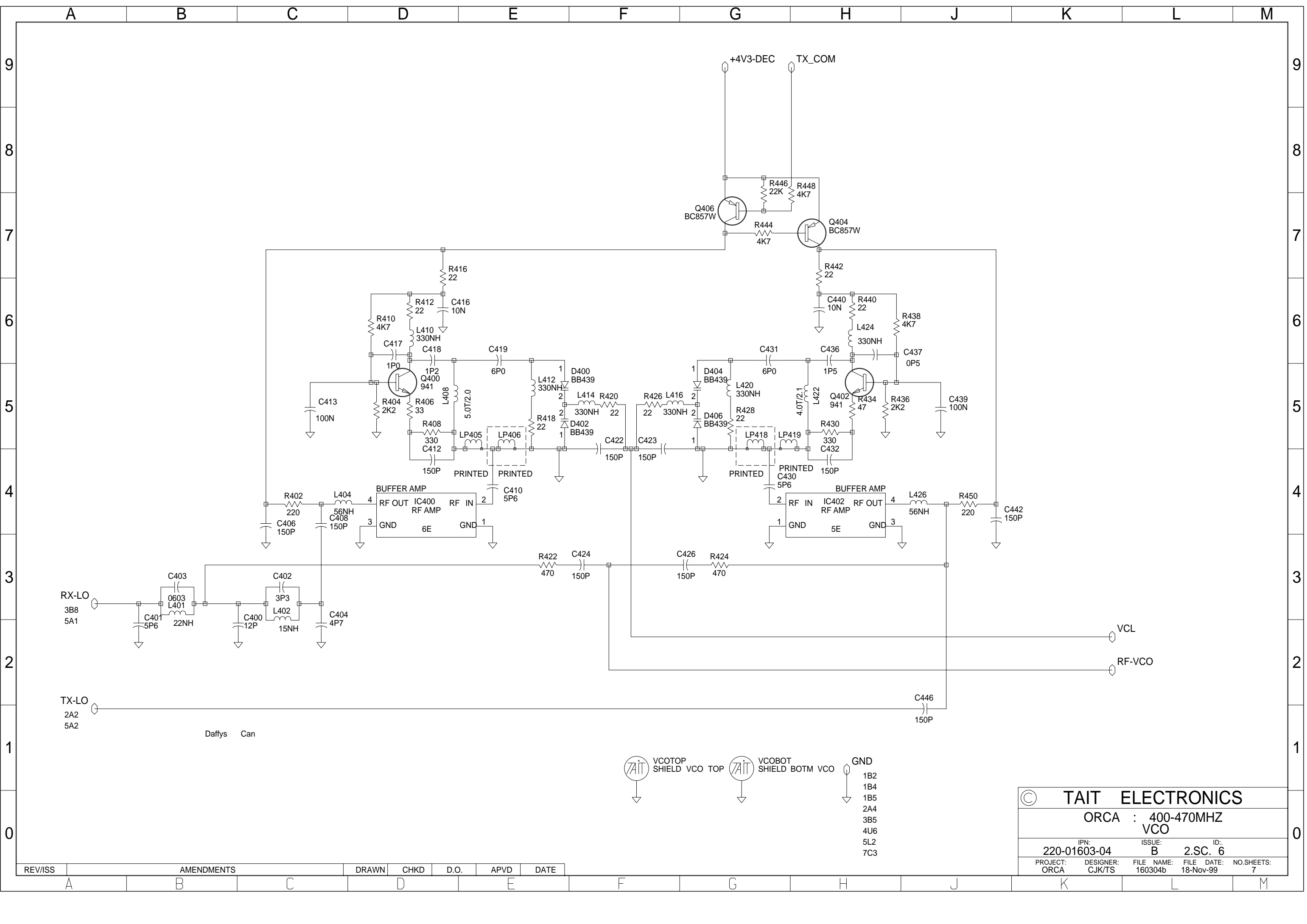
ORCA : 400-470MHZ SYNTHESISER

IPN: 220-01603-04 ISSUE: B ID: 2.SC. 5

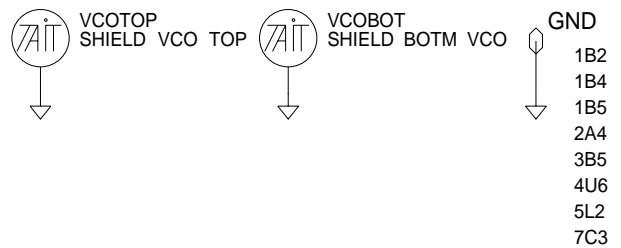
PROJECT: ORCA DESIGNER: CJK/TS FILE NAME: 160304b FILE DATE: 18-Nov-99 NO.SHEETS: 7

REV/ISS	AMENDMENTS	DRAWN	CHKD	D.O.	APVD	DATE

- +5V-AN 2A6
- +5V-AN 3B6
- 4V7 4V7
- +7V5-SW 7C6
- +7V5-SW 7C4
- 1B9
- 2A7
- 4U7
- 7C4
- GND
- 1B2
- 1B4
- 1B5
- 2A4
- 3B5
- 4U6
- 6H1
- 7C3

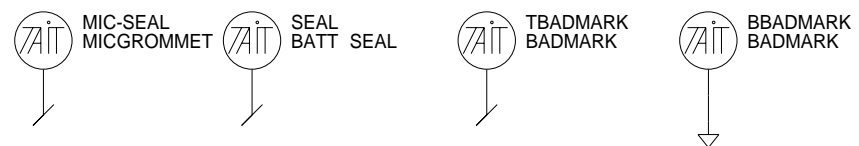
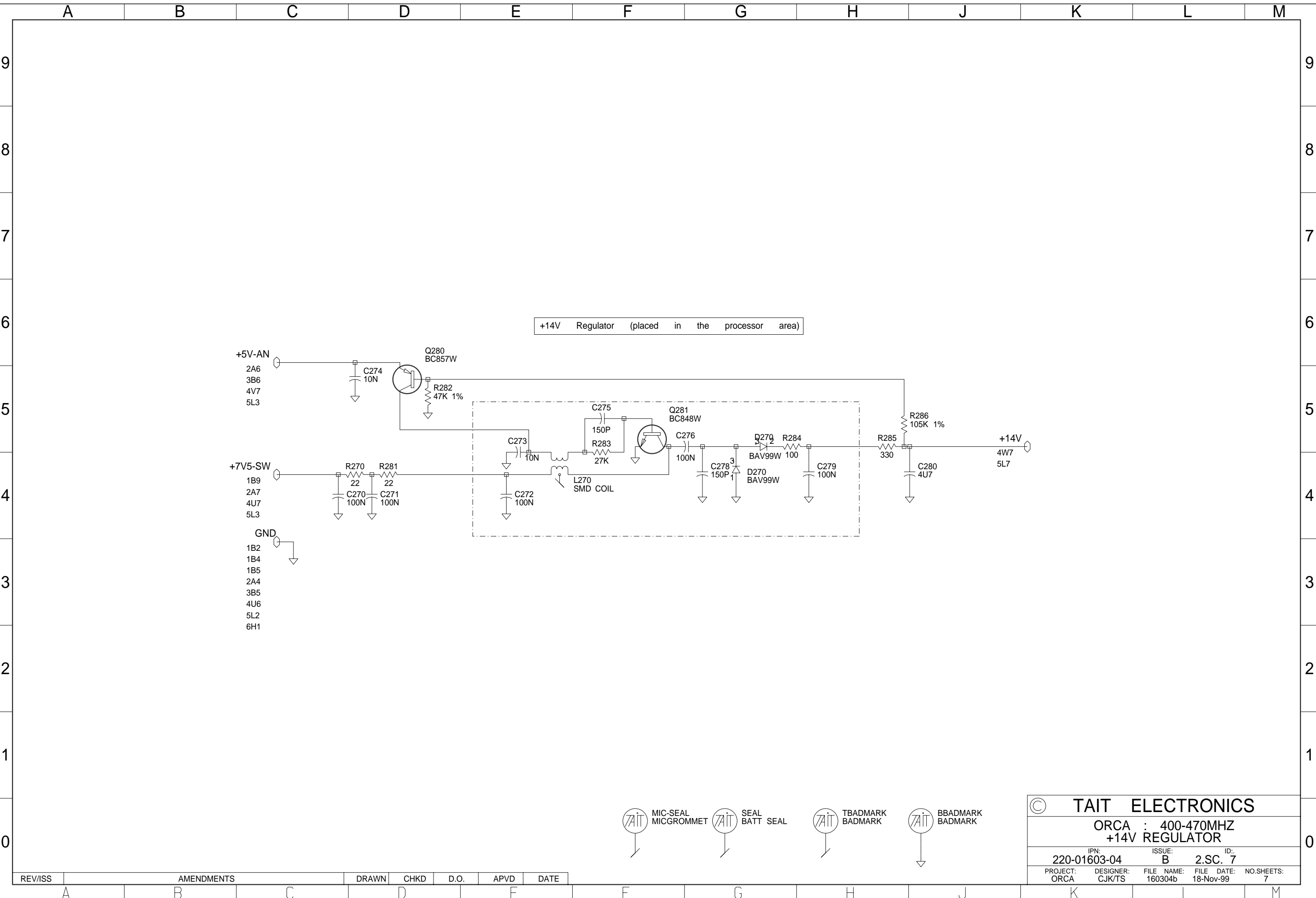


Daffys Can



© TAIT ELECTRONICS				
ORCA : 400-470MHZ VCO				
IPN:	ISSUE:	ID:		
220-01603-04	B	2.SC. 6		
PROJECT:	DESIGNER:	FILE NAME:	FILE DATE:	NO.SHEETS:
ORCA	CJK/TS	160304b	18-Nov-99	7

REV/ISS	AMENDMENTS	DRAWN	CHKD	D.O.	APVD	DATE
---------	------------	-------	------	------	------	------



© TAIT ELECTRONICS				
ORCA : 400-470MHZ +14V REGULATOR				
IPN: 220-01603-04		ISSUE: B		ID: 2.SC. 7
PROJECT: ORCA	DESIGNER: CJK/TS	FILE NAME: 160304b	FILE DATE: 18-Nov-99	NO.SHEETS: 7

REV/ISS	AMENDMENTS	DRAWN	CHKD	D.O.	APVD	DATE

